



ES-EBR Series

**BRS - Basic radiological
System**



IMAGING SYSTEMS



ES-EBR Series

Commercial Name	BRS - Basic Radiological System
REF	ES-EBRXXX
Intended Use	<p>The Breeze X-Ray Universal Stand is designed as a compact multipurpose unit for a wide range of examinations. It is offered in several version, designed with use combined with different kind of detector (conventional and digital): each version is able to supply a rather complete panel of possible RAD investigation with patient standing or sitting on a chair (Hand, elbow, knee, foot, chest...). The possible exams list that can be even widened if the Breeze is used in combination with any kind of X-Ray transparent stretcher (abdomen, pelvis, soft tissue...). It is not designed for techniques like tomography or fluoroscopy nor for any kind of speciality investigation such as mammography, dental, urology.</p>
Technical Features	Page 4 and following
Unintended Effect	<p>Nothing, within the limits of the intended use of the product. The medical device can be used only by skilled medical personnel with proper qualification. Carefully read the user manual</p>
Factory acceptance test	<p>Each medical device is tested in the factory, before shipment, according to the document "Factory acceptance test". After installation, the manufacturer set a second test with release of the installation report. Applicable norms are mentioned in Declaration of conformity sent along the device</p>
Packing	<p>Each packaging is identified with a specific label reporting product description and reference data of the product (code and batch).</p> <p>The unit when passed the final factory test (product release) is packed in such a way to preserve it until the moment of use. Standard procedure set the shipment of the device in cage or box, with preventive use of pluriball and plastic film.</p>

ES-EBR Series



Labelling	In designed according to UNI 980, a copy of the label in on the user manual and technical manual.	
Disposal	 <p>This medical device must be managed in full respect of Article 13 of Dlg July 25, 2005, Nr 151 “Attuazione delle direttive 2002/95/CE, 2002/96/CE e 2003/108/CE,” related to the reduction of the use of the dangerous material on the electrical and electronic devices, as well as to the garbage disposal.</p>	
Class	The medical device is in class I.	
Product family	CODE	DESCRIPTION
	ES-EBRP02	<p>Basic Radiological system, U arm with rotation and motorized up/down movement. Focal Distance FD adjustable 100÷180cm motorized. Manual rotation of Potter Bucky $\pm 90^\circ$ and tube housing $\pm 180^\circ$. Complete of Potter Bucky for radiographic cassette size up to 430x430mm, set for AEC. Oscillating anti-scattering grid size 480x438mm R10:1 F150 103lp/inch included.</p>
	ES-EBRD02500	<p>Basic Radiological system, U arm with rotation and motorized up/down movement. Focal Distance FD adjustable 100÷180cm motorized. Manual rotation of Potter Bucky $\pm 90^\circ$ and tube housing $\pm 180^\circ$. Complete of digital detector support for cassette size up to 430x430x17mm (17"x17"x0,6") with support for removable anti-scattering grid size 480x438mm, set for AEC. Grid not included.</p>

TECHNICAL FEATURES

ES-EBRP02 / ES-EBRD02500

Technical features

Motorized vertical movement 1450 mm

Minimum height from floor of X-Ray focus: 365 mm

Swivel C-shaped arm

Total rotation: 30° left, 120° right

S.I.D. variation: from 1000 to 1800 mm

X-Ray tube-collimator support group

Rotation: 180° left, 180° right with ELM Brake

Angle indicator: Inclinator

Collimator: Manual

Image detector support

Maximum image size 43x43 cm

X-Ray fine line grid: 103 L" R10

S.I.D. 150 cm/no included

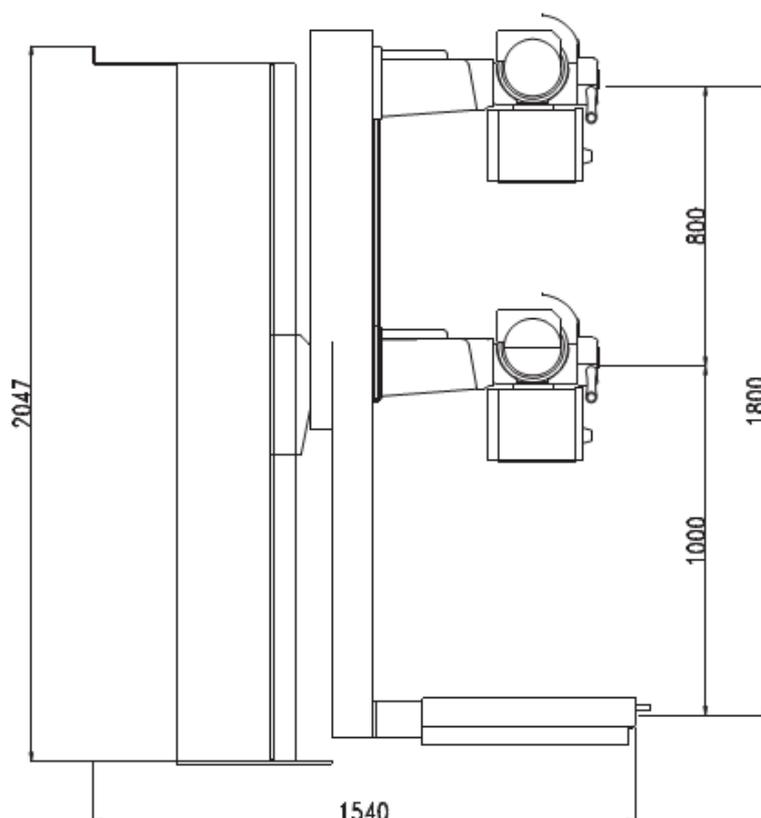
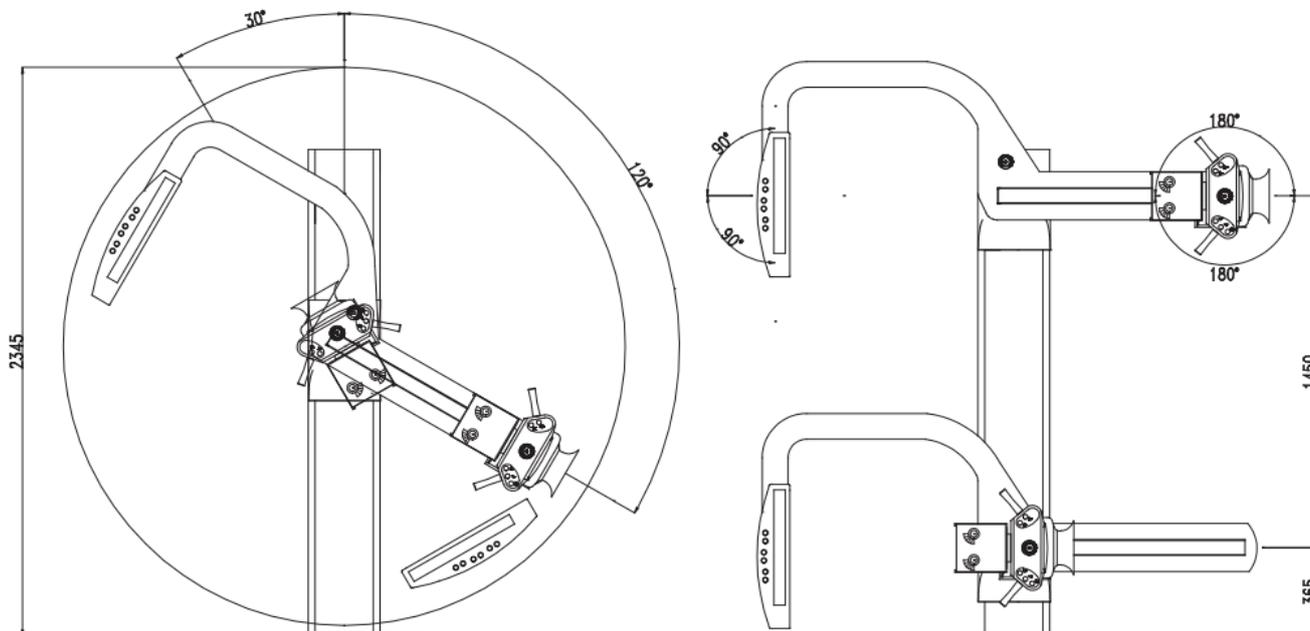
Rotation: 90° left, 90° right

Angle indicator: Inclinator



ES-EBRP02 / ES-EBRD02500

Followings measures are in mm:



ESSE3 srl, Via Garibaldi 30
14022 Castelnuovo D.B. (AT)
Tel +39 011 99 27 706
Fax +39 011 99 27 506
e-mail esse3@chierinet.it
web: www.esse3.dreamgest.com

